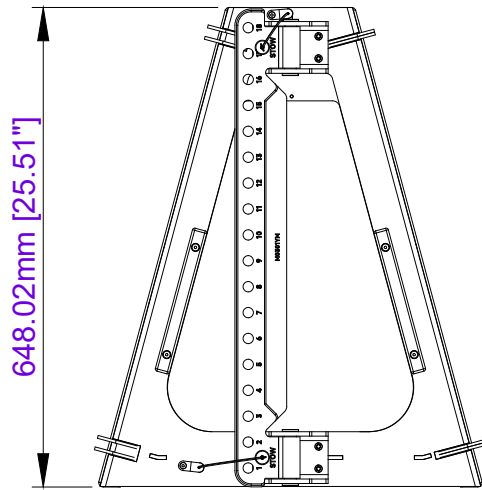
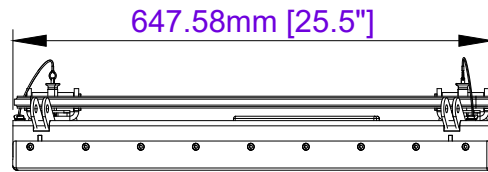


REVISION HISTORY			
REV	DESCRIPTION	DATE	CHECKED BY
A0	DRAWING RELEASED	2024-07-24	Howard S.

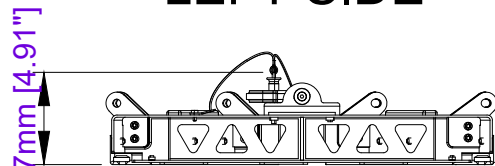
TIP BAR in STOW position



TOP

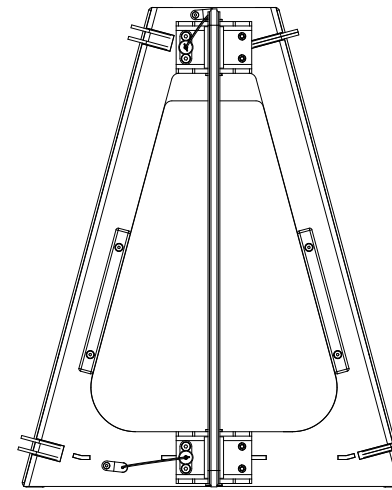


LEFT SIDE

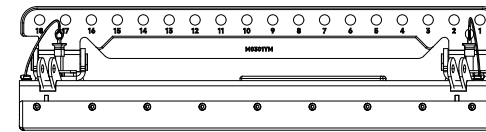


FRONT

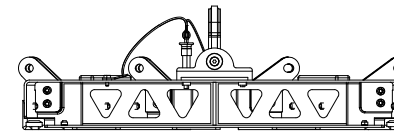
TIP BAR in FLY position



TOP



LEFT SIDE



FRONT

		<small>ALL INFORMATION (INCLUDING DRAWINGS AND DIAGRAMS) CONTAINED IN THIS DOCUMENT IS THE PROPERTY OF MUSIC TREE. ADDRESSEES WHOM THE INFORMATION IS CONFERRED TO SHALL MAINTAIN THE INFORMATION IN CONFIDENCE AND SHALL NOT RELEASE IT TO ANY UNAUTHORIZED THIRD PARTY EXCEPT UNDER AUTHORITY, WRITTEN OR ORAL, OF MUSIC TREE. ANY UNAUTHORIZED DISCLOSURE, REPRODUCTION, OR APPLICATION OF ANY OTHER SEALING IS THE INFORMATION SHALL RESULT IN CIVIL AND/OR CRIMINAL LIABILITY AND PENALTIES.</small>	
		<small>INTERNAL CODE:</small> 0308-ADI	<small>NAME:</small> TURBOSOUND MC15-FB
<small>MATERIAL ID:</small> -	<small>ALL DIMENSIONS IN X.XXmm(X.XXXin)</small> DO NOT SCALE DRAWING		
		<small>SCALE:</small> NTS	<small>SHEET</small> 1 OF 1