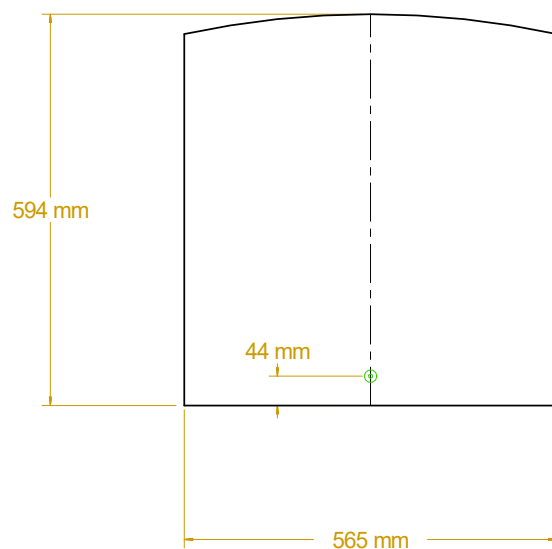


SA1250-RN  
SA1250-RD  
SA1250-RD1  
Amplifier option



SA1250-A  
Amplifier option



**WARNING!** Hanging loudspeakers is a serious undertaking that should be done only by qualified and experienced personnel. Check with an architect or structural engineer to verify any building attachment points. Renkus-Heinz is not responsible for any non-Renkus-Heinz products or for any misuse of Renkus-Heinz products.

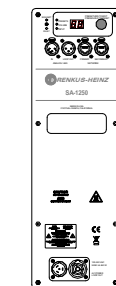
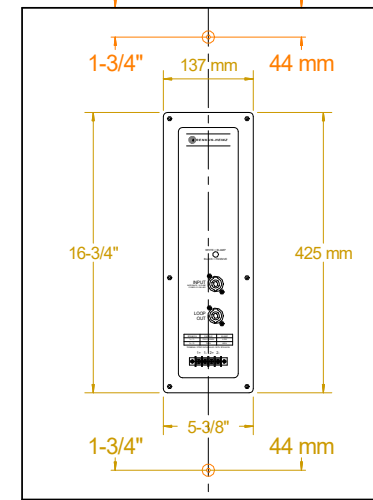
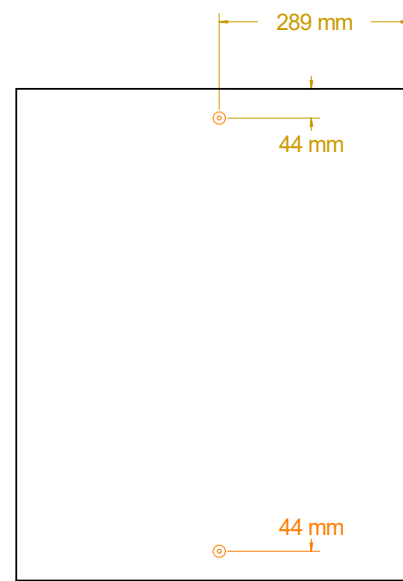
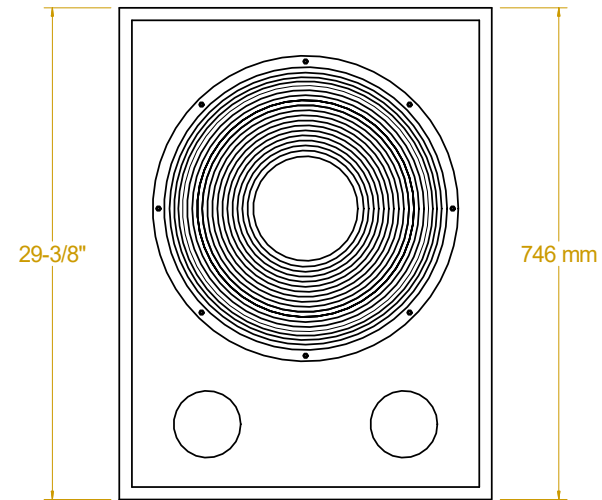
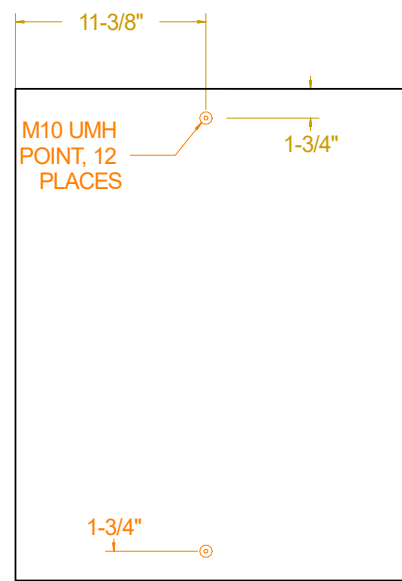
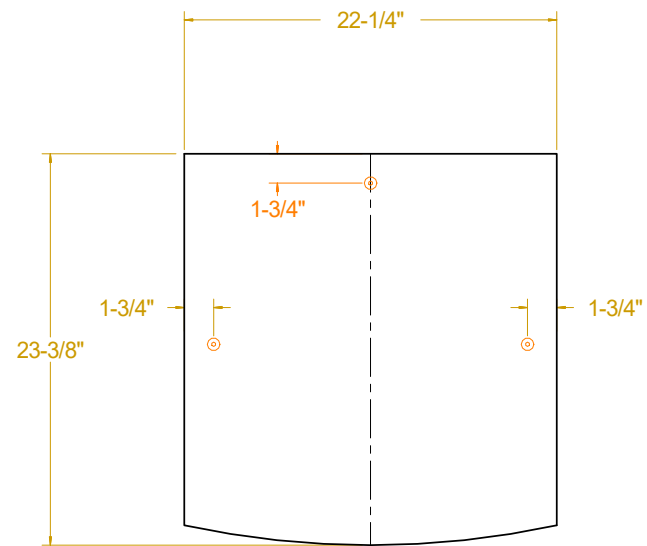
**CX Version shown. To see TX Versions, use layer selection in CAD or page selection in .pdf**

THE MATERIAL CONTAINED HEREIN IS PROPRIETARY TO RENKUS-HEINZ AND SHALL NOT BE REPRODUCED, DISCLOSED OR USED FOR ANY OTHER PURPOSE WITHOUT THE WRITTEN APPROVAL OF RENKUS-HEINZ.

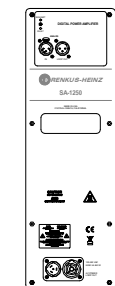
PART NUMBER LIST			
REV	DESCRIPTION	DATE	BY

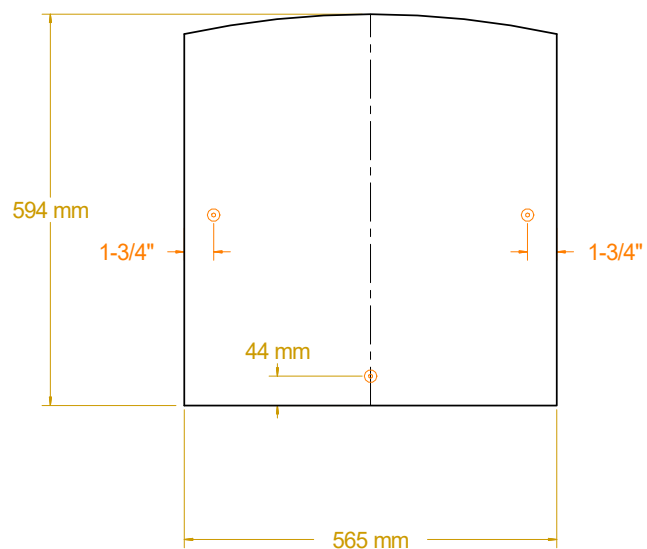
UNLESS OTHERWISE SPECIFIED DIMENSIONS ARE IN INCHES TOLERANCES ARE:	INTL JM	DATE 12-2018	<b>RENKUS-HEINZ, inc.</b> TITLE: <b>CX/CA or TX/TA18S Assembly</b>
DECIMALS .XX±.01 .XXX±.005	CHECK DESIGN ENG		
ANGLES ±0° 30'	APPROV APPROV		
	REF DWG		
NEXT ASSY.	USED ON	DO NOT SCALE DRAWING	SIZE CODE IDENT DWG NO. REV
APPLICATION	DEBURR AND REMOVE SHARP EDGES	SCALE	WEIGHT SHEET 1 OF 1



SA1250-RN  
SA1250-RD  
SA1250-RD1  
Amplifier option



SA1250-A  
Amplifier option



TX Fixed Version shown. To see TX Mobile or CX versions, use layer selection in CAD or page selection in .pdf

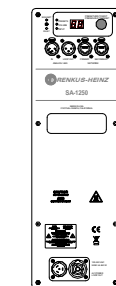
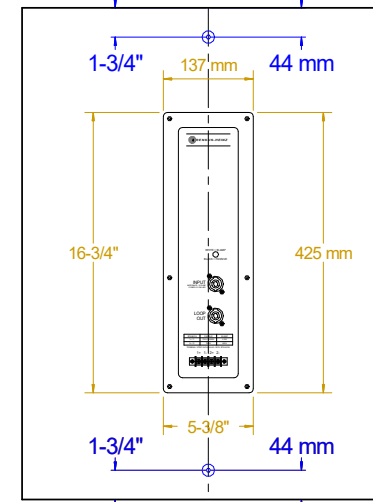
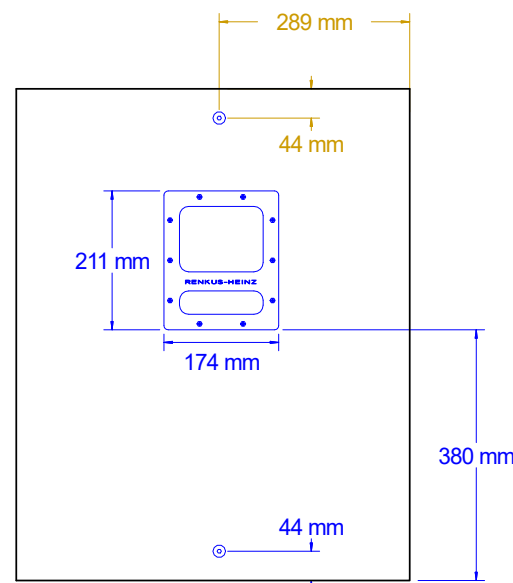
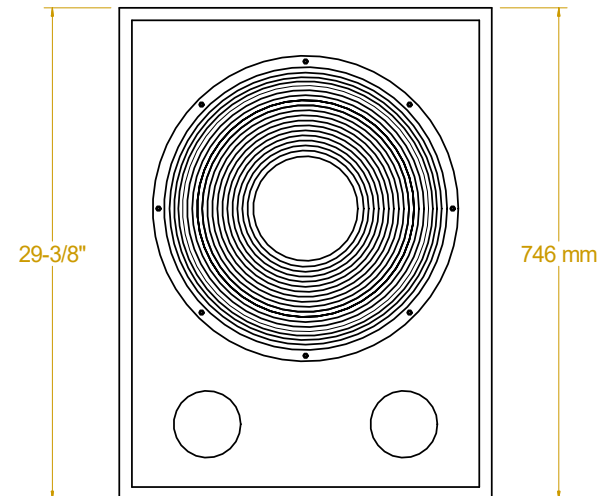
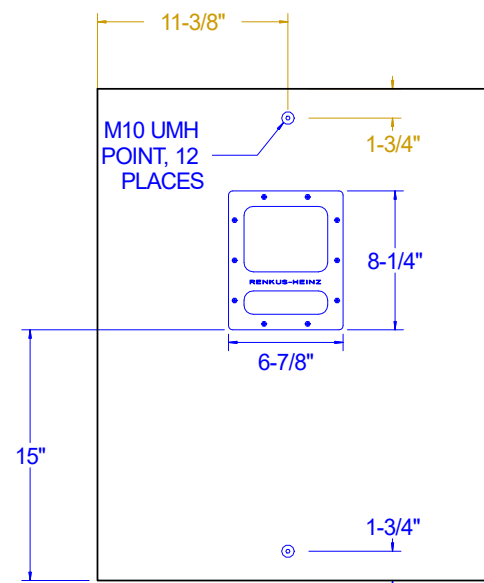
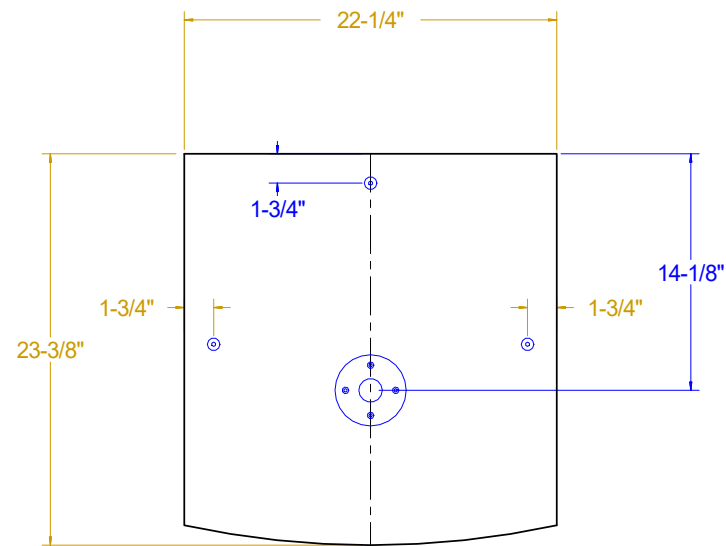
**WARNING!** Hanging loudspeakers is a serious undertaking that should be done only by qualified and experienced personnel. Check with an architect or structural engineer to verify any building attachment points. Renkus-Heinz is not responsible for any non-Renkus-Heinz products or for any misuse of Renkus-Heinz products.

THE MATERIAL CONTAINED HEREIN IS PROPRIETARY TO RENKUS-HEINZ AND SHALL NOT BE REPRODUCED, DISCLOSED OR USED FOR ANY OTHER PURPOSE WITHOUT THE WRITTEN APPROVAL OF RENKUS-HEINZ.

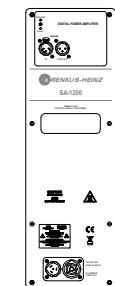
PART NUMBER LIST			
REV	DESCRIPTION	DATE	BY

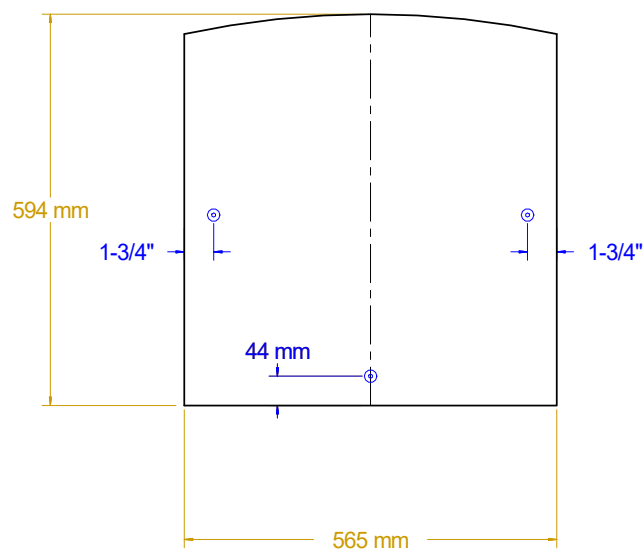
UNLESS OTHERWISE SPECIFIED DIMENSIONS ARE IN INCHES TOLERANCES ARE:	INTL JM	DATE 12-2018	<b>RENKUS-HEINZ, inc.</b> TITLE: <b>CX/CA or TX/TA18S Assembly</b>
DECIMALS .XX+ .01 .XXX±.005	CHECK	DESIGN	
ANGLES ±0° 30'	ENG	APPROV	
	APPROV	REF DWG	
NEXT ASSY.	USED ON	DO NOT SCALE DRAWING	SIZE
APPLICATION	DEBURR AND REMOVE SHARP EDGES	SCALE	CODE IDENT
			DWG NO.
			REV
			WEIGHT
			SHEET 1 OF 1



SA1250-RN  
SA1250-RD  
SA1250-RD1  
Amplifier option



SA1250-A  
Amplifier option



TX Mobile Version shown. To see TX Fixed or CX versions, use layer selection in CAD or page selection in .pdf

**WARNING!** Hanging loudspeakers is a serious undertaking that should be done only by qualified and experienced personnel. Check with an architect or structural engineer to verify any building attachment points. Renkus-Heinz is not responsible for any non-Renkus-Heinz products or for any misuse of Renkus-Heinz products.

THE MATERIAL CONTAINED HEREIN IS PROPRIETARY TO RENKUS-HEINZ AND SHALL NOT BE REPRODUCED, DISCLOSED OR USED FOR ANY OTHER PURPOSE WITHOUT THE WRITTEN APPROVAL OF RENKUS-HEINZ.

PART NUMBER LIST			
REV	DESCRIPTION	DATE	BY

UNLESS OTHERWISE SPECIFIED DIMENSIONS ARE IN INCHES TOLERANCES ARE:	INTL JM	DATE 12-2018	<b>RENKUS-HEINZ, inc.</b> TITLE: <b>CX/CA or TX/TA18S Assembly</b>
DECIMALS .XX+ .01 .XXX±.005	CHECK DESIGN ENG		
ANGLES ±0° 30'	APPROV APPROV		
	REF DWG		
NEXT ASSY.	USED ON	DO NOT SCALE DRAWING	SIZE CODE IDENT DWG NO. REV
APPLICATION	DEBURR AND REMOVE SHARP EDGES	SCALE	WEIGHT SHEET 1 OF 1